



ULTRANIXX SERIES

24V UNIVERSAL INVERTER H/P CONDENSING UNIT

*Compatible with third party 24V Air Handler and 24V thermostat

Item	Unit	Parameter
Outdoor Model	—	KU60UHO
Indoor Model	—	KU48UH2I
System Ratings		
Cooling Capacity	Btu/h	48000
Heating Capacity	Btu/h	48000
Power Supply	—	208/230V,1Ph,50/60Hz
SEER	—	18
EER	Btu/(h·W)	11.5
HSPF	—	10.5
Gas Pipe	mm/inch	φ19/(3/4)
Liquid Pipe	mm/inch	φ9.52/(3/8)
Standard Pipe Length	m/ft	7.5/24.6
Max refrigerant pipe length between Indoor and Outdoor(m)	m/ft	30/98.4
Max vertical height difference between Indoor and Outdoor(m)	m/ft	15/49.2
Connection Method	—	Screw Connection(standard) Solder Connection(optional)
Refrigerant Type	—	R410A
Outdoor Unit Data		
Sound Pressure Level	dB(A)	58
Minimum - Maximum Voltage	V	187-253
Control Voltage	V	24
Rated Current Cooling	A	30
Rated Current Heating	A	31
MCA	A	35
MOP	A	45
External Dimensions (H×W×D)	mm/inch	1365×1000×370/53-3/4×39-3/8×14-1/2
Net Weight	kg/lbs	140/308.7
Gross Weight	kg/lbs	153/337.4
Operation temperature for cooling	°C/°F	-15~54/(5~129.2)
Operation temperature for heating	°C/°F	-30~24/(-22~75.2)
Outdoor Fan Total Air Volume	m³/h/cfm	7990/4700
Outdoor Fan Motor FLA (A)	A	1.5X2
Compressor RLA	A	13
Refrigerant Charge	kg/lbs	6.25/13.78
Indoor Unit Data		
Air flow volume	m³/h / CFM	2350/1380
ESP (Range)	ln.w.g/Pa	0.2/50(0/0~1/250)
Sound Pressure Level	dB(A)	50
Supplemental Electric Heat (Optional)	kW	10/15/20
Dehumidification	pt/hr	9.94
Minimum - Maximum Voltage	V	187-253
Control Voltage	V	24
Rated Current Cooling	A	5.00
Rated Current Heating	A	5.00
MCA	A	8
MOP	A	15
MCA / with electric heater	A	10kW:53/59(208/240V) 15kW:53+24/59+28(208/240V) 20kW:53+53/59+59(208/240V)
MOP / with electric heater	A	10kW:60/60(208/240V) 15kW:60+30/60+30(208/240V) 20kW:60+60/60+60(208/240V)
External Dimensions (H×W×D)	mm/inch	1448×630×540/57×24-3/4×21-1/4
Net Weight	kg/lbs	92/203
Gross Weight	kg/lbs	99/218
Operation temperature for cooling	°C/°F	18~27/(64.4~80.6)
Operation temperature for heating	°C/°F	20~27/(68.0~80.6)
Indoor Fan Motor Full Load Amps	A	5
Indoor Fan Motor Rated HP	HP	1
*Ultra Heat: strong heating at low ambient temperature.		100% Heating Capacity down to 14°F(-10°C) Stable running at -22°F(-30°C)
*Ultra Cool: strong cooling at high ambient temperature.		100% Cooling Capacity up to 109.4°F(43°C) Stable running at 129.2°F(54°C)

Outdoor Model: KU60UHO



Indoor Model: KU48UH2I



Job Name:

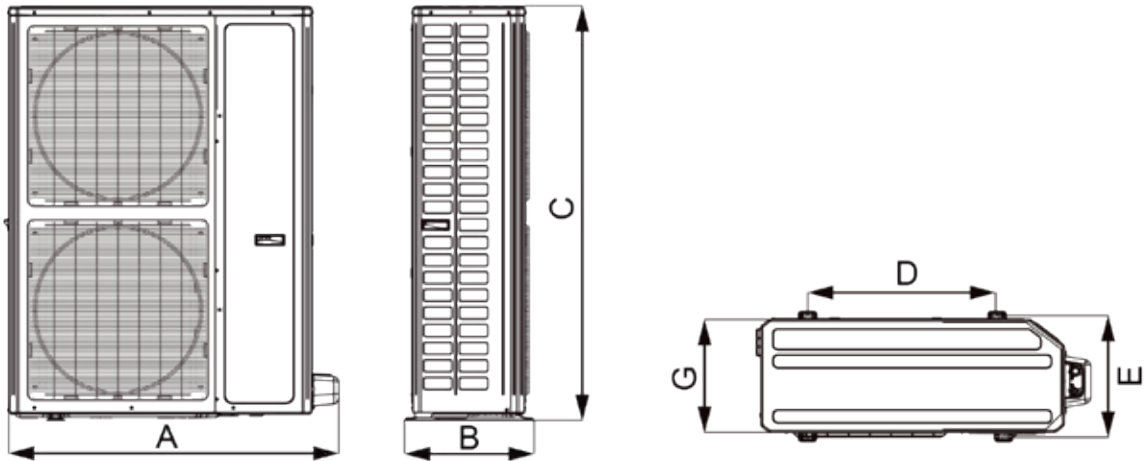
Schedule Reference:

Date:

Specification are subject to change without notice.



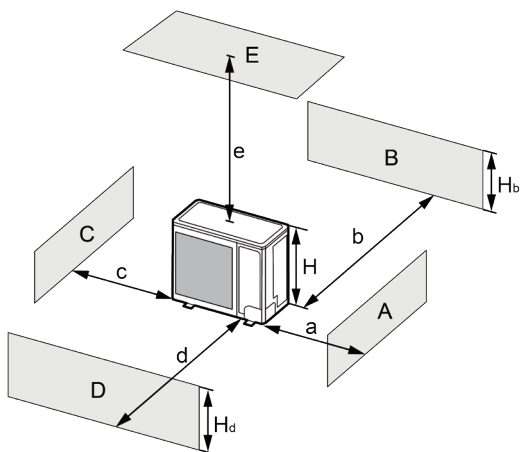
Outline and Physical Dimension of KU60UHO



Dimensions	A	B	C	D	E	G
Model						
KU60UHO	42-3/4 (1085)	16-7/8 (427)	53-3/4 (1365)	24-1/2 (620)	15-1/2 (395)	14-1/2 (370)

Units: inch (mm)

When one outdoor unit is to be installed.

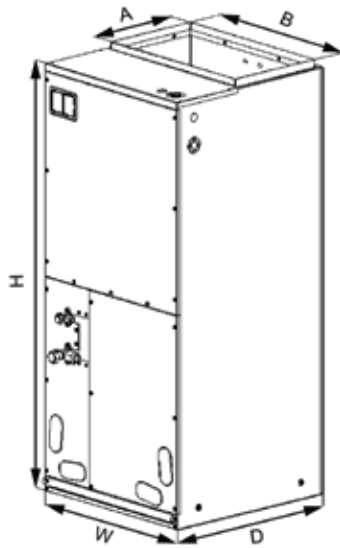


A ~ E	H _b	H _d	H	inches (") millimeters (mm)				
				a	b	c	d	e
B		—			≥ 3.94" 100mm			
A,B,C		—		≥ 11.81" 300mm	≥ 3.94" 100mm	≥ 3.94" 100mm		
B,E		—			≥ 3.94" 100mm			≥ 39.37" 1000mm
A,B,C,E		—		≥ 11.81" 300mm	≥ 5.9" 150mm	≥ 5.9" 150mm		≥ 39.37" 1000mm
D		—					≥ 39.37" 1000mm	
D,E		—					≥ 39.37" 1000mm	≥ 39.37" 1000mm
B,D	H _b < H _d	H _d > H			≥ 3.94" 100mm		≥ 39.37" 1000mm	
	H _b > H _d	H _d < H			≥ 3.94" 100mm		≥ 39.37" 1000mm	
B,D,E	H _b < H _d	H _b ≤ 1/2 H			≥ 9.84" 250mm		≥ 78.74" 2000mm	≥ 39.37" 1000mm
		1/2 H < H _b ≤ H			≥ 9.84" 250mm		≥ 78.74" 2000mm	≥ 39.37" 1000mm
	H _b > H _d	H _b > H	Prohibited					
		H _d ≤ 1/2 H				≥ 3.94" 100mm		≥ 78.74" 2000mm
	1/2 H < H _d ≤ H				≥ 7.87" 200mm		≥ 78.74" 2000mm	≥ 39.37" 1000mm
	H _d > H	Prohibited						



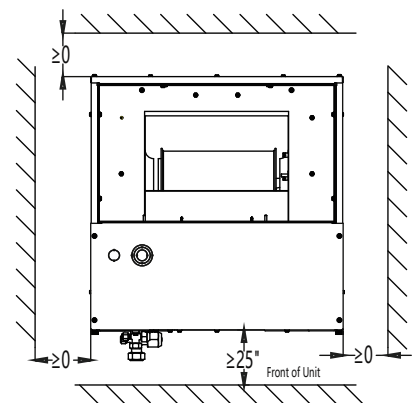
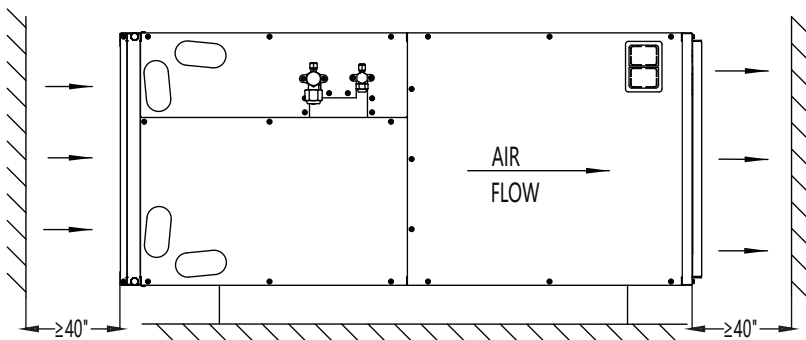


Outline and Physical Dimension of KU48UH2I.



Units: inch (mm)

Model	Dimension				
	W	D	H	A	B
KU48UH2I	24-3/4(630)	21-1/4(540)	57(1448)	11-5/8(295)	20(508)



Units: inch

