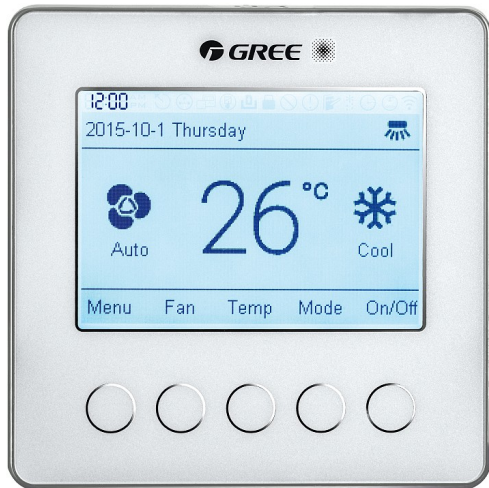
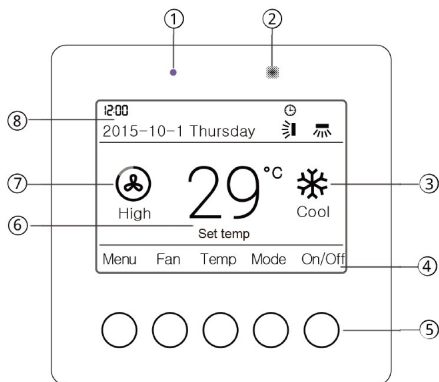


GMV5 **Wired Controller XK86**

Model: XK86



- Elegant and concise appearance;
- Touch buttons with backlighting LCD;
- Chinese and English display can be switched;
- With weekly timer function;
- Complete system functions with each function implemented in an individual page;
- Refreshing, auto dehumidifying, absence and other modes can be set;
- Detect ambient temperature precisely;
- With electricity consumption inquiry function (Unit with electricity measurement function shall be connected);
- With service hotline inquiry and after-sales phone number record functions;



No.	Name	Instructions
1	LED	Light up when buttons are pressed or signals are received from remote controller
2	Remote signal receiving window	For receiving signals from remote controller
3	Mode display	Indicating the operating mode
4	Names of buttons	Indicating the names of buttons
5	Touch buttons	Corresponding to the names of buttons
6	Temperature display	Display set temperature or environment temperature
7	Fan speed display	Indicating set fan speed
8	Status bar	Indicating date, time, and activated functions

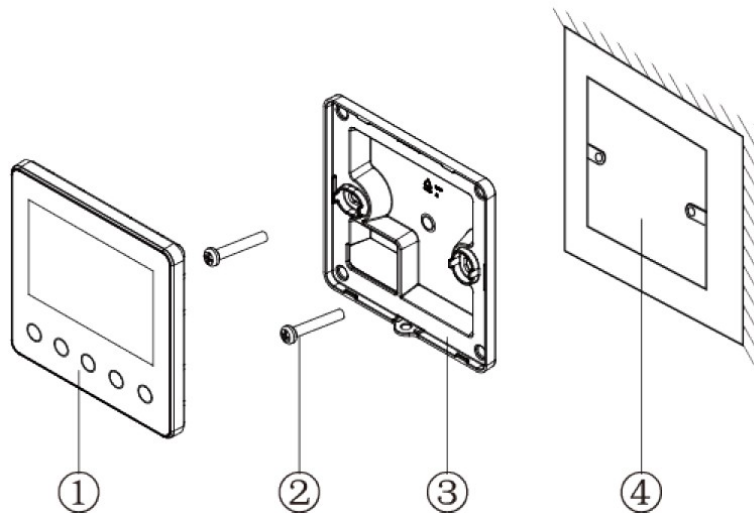
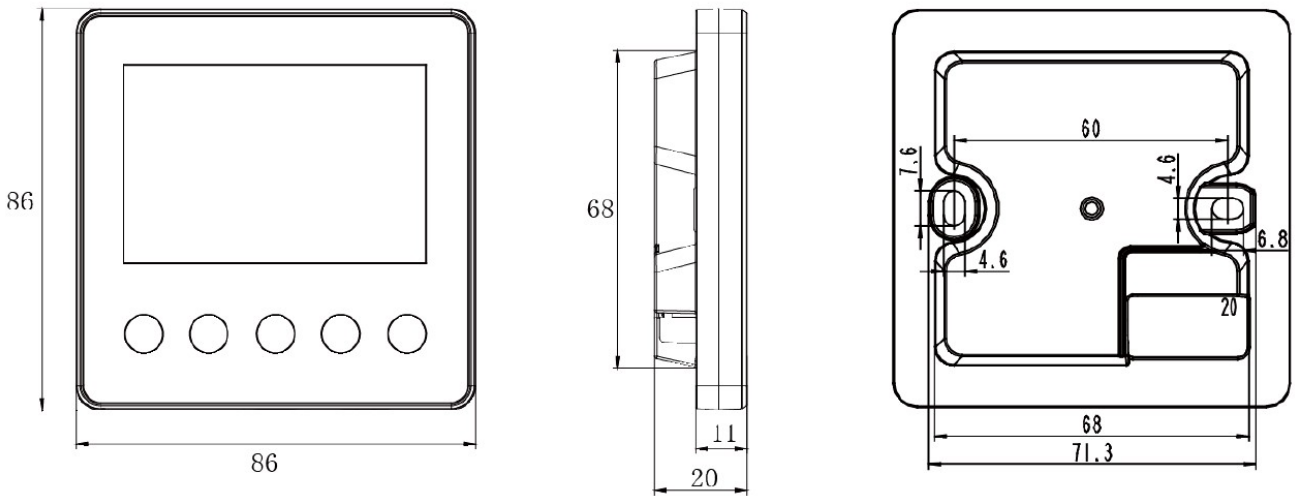
Job Name:

Schedule Reference:

Date:

Outline and Physical Dimensions of XK86.

Unit: mm



No.	①	②	③	④
Name	Panel of wired controller	Screw M4*25	Soleplate of wired controller	Junction box mounted in the wall space
QTY	1	2	2	Parts supplied by users