

208~230V Wall-Mounted Lomo

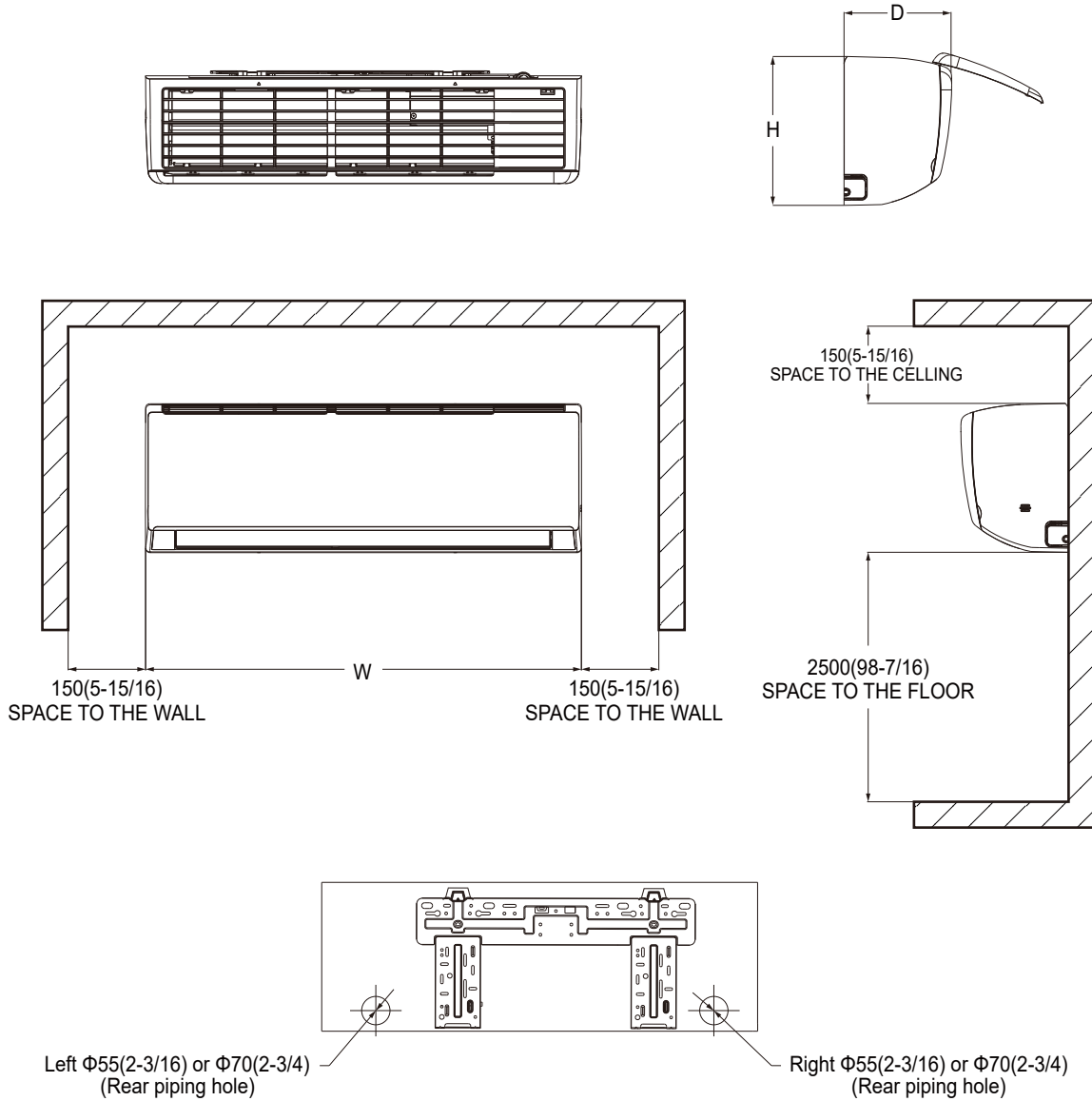
Model:GMV-ND36G/B4B-T(U)



Specifications	Unit	Parameter
Model	—	GMV-ND36G/B4B-T(U)
Performance		
Rated Cooling Capacity	kBtu/h	32.5
Rated Heating Capacity	kBtu/h	36
Sound Pressure Level	dB(A)	40/48/52
Electrical Data		
Power Supply	Voltage,Phase, Hertz	208/230,1,60
Maximum Overcurrent Protection (MOP)	A	15
Minimum Circuit Amps (MCA)	A	1
Fan		
Type x Quantity	—	Cross-flow×1
Air Flow Volume	CFM	530/647/971
Fan Motor Running Current	A	0.32
Fan Motor Power Output	W	70
Refrigerant Piping		
Connection Pipe	Gas(mm/inch)	Φ15.9/Φ5/8
	Liquid(mm/inch)	Φ9.52/Φ3/8
Connection method	—	Flare Connection
Refrigerant	—	R410A
Dimension/Weight		
Dimensions (H×W×D)	mm/inch	326×1350×258/ (12-13/16×53-1/8×10-3/16)
Net Weight	kg/lbs	18.5/41
Other		
Safety Certification	—	ETL

Job Name:		Date:	
System Reference No.:			
Engineer Signature:			

Outline and Physical Dimensions of GMV-ND36G/B4B-T(U) .



Model	Item	W	H	D
GMV-ND36G/B4B-T(U)		1350(53-1/8)	326(12-13/16)	258(10-3/16)

Unit:mm(in.)

