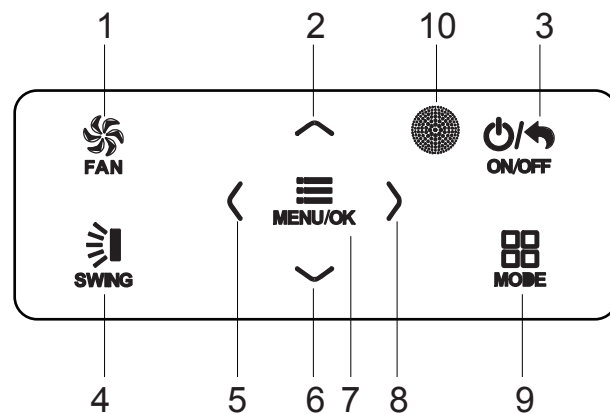


Submittal

Wired Remote Controller XK76

Model: XK76

• This wired remote controller is intended for Free match series and Mini Split (except Console series) .



No.	Button name	Button Function
1	FAN	Set low speed, medium speed, high speed, turbo and auto speed.
2	^	(1) Set temperature (2) Set parameter
6	v	(3) Move option cursor
3	ON/OFF/BACK	(1) Turn on or turn off unit (2) Return to last page
4	SWING	Set up&down swing and set left&right swing
5	<	(1) Set related function on or off (2) Move option cursor
8	>	(3) Set parameter
7	MENU/OK	(1) Enter menu page (2) Confirm setting
9	MODE	Set auto, cooling, dry, fan and heating modes for indoor unit.
10	Remote control receiver window	

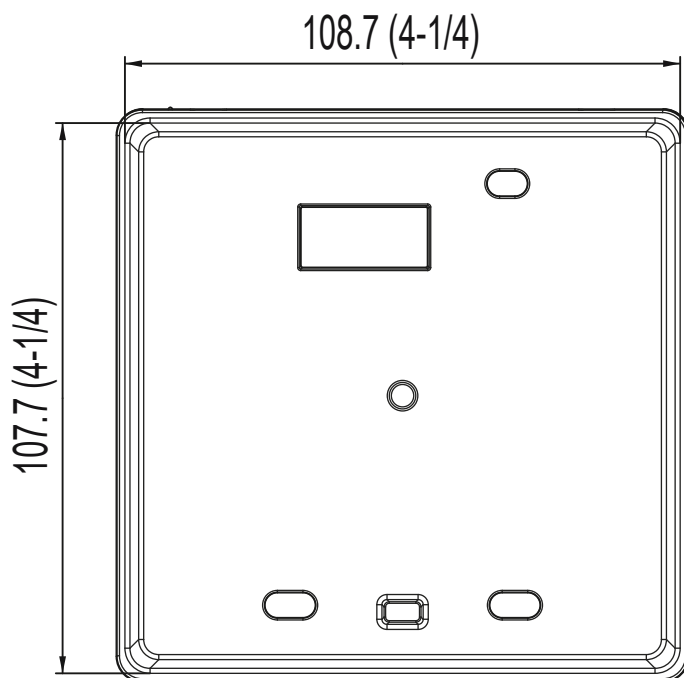
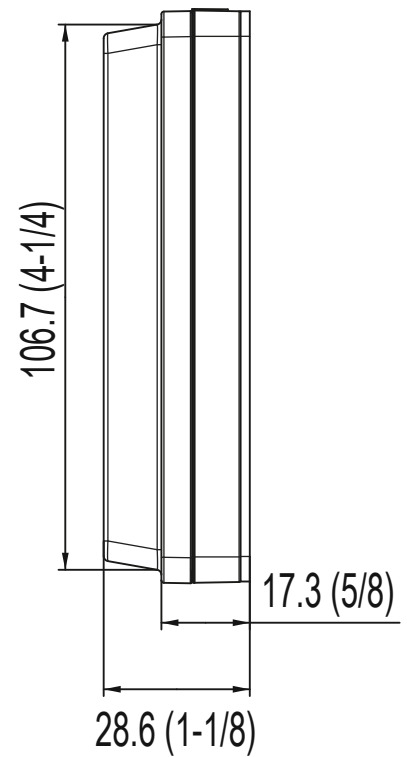
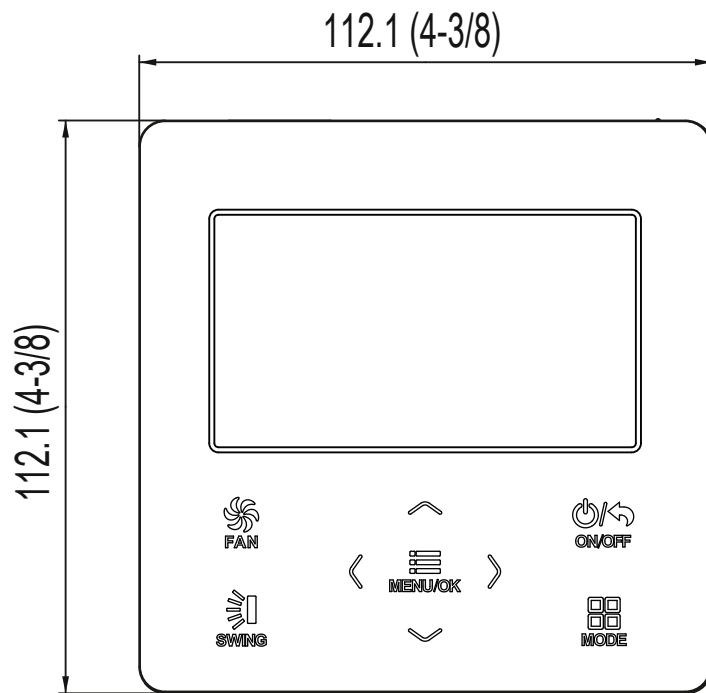
Job Name:

Schedule Reference:

Date:



Outline and Physical Dimension of XK76.



Unit outline dimension: mm (in.)