

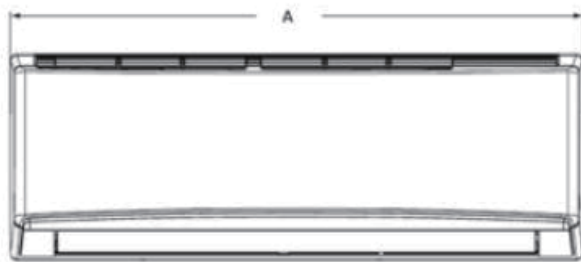
SPLIT TYPE
“J=€@H”
**Model:
KW12HQ2B8A**


Item	Unit	Specification
ODU Model	—	KW12HQ2B8AO
IDU Model	—	KW12HQ2B8AI
System Ratings		
Cooling Capacity	Btu/h	12,000
Heating Capacity (47°F)	Btu/h	12,200
Heating Capacity (17°F)	Btu/h	6,800
Cooling Capacity Range	Btu/h	3,514-14,569
Heating Capacity Range	Btu/h	2,764-16,582
Cooling Power Input (Max)	W	1,300
Heating Power Input (Max)	W	1,3500
SEER	—	22.0
HSPF	—	11.0
EER	W/W	12.5
COP	W/W	3.6
Cooling Operation Range	°F(°C)	0~115.0 (-18.0~46.0)
Heating Operation Range	°F(°C)	-4~75.0 (-20.0~24.0)
Gas Pipe Size (OD)	Inch	1/2
Liquid Pipe Size (OD)	Inch	1/4
Connection Method	—	Flared
Factory Charge	oz	47.6
Additional Charge	oz/ft	0.21
Pre-Charge Length	ft.	25
MAX Refrigerant Length	ft.	66
Min Refrigerant Pipe Length	ft.	10
MAX Refrigerant Pipe Elevation	ft.	33
Indoor Unit Data		
Fan Motor Power Output	W	40
Fan Motor FLA	A	0.3
Air Flow Volume	CFM	171/400
Sound Pressure Level	dB(A)	28/45
Dehumidication	pt/hr	2.96
Power Supply	—	115V / 1Ph / 60Hz
Min/Max Voltage	V	103 - 127
MCA	A	17.0
MOCP/Breaker Size	A	25.0
Outdoor Unit Data		
Compressor Type	—	DC Inverter Rotary
Compressor RLA	A	12.5
Refrigerant Type	—	R410A
Fan Motor Power Output	W	30
Fan Motor FLA	A	0.55
Sound Pressure Level	dB(A)	53
Power Supply	—	115V / 1Ph / 60Hz
Min/Max Voltage	V	103 - 127
Main Supply Wire Size	—	10-2 AWG
MCA	A	17.0
MOCP/Breaker Size	A	25.0

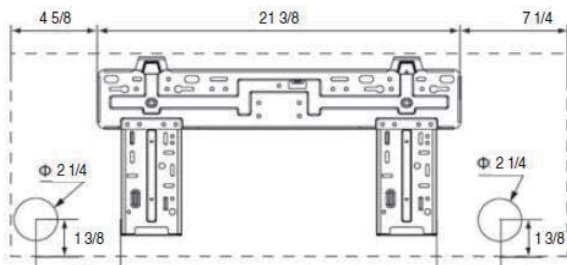
Job Name:
Schedule Reference:
Date:



Outline and Physical Dimension of KW12HQ2B8A.

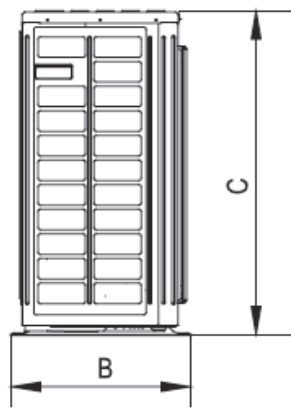
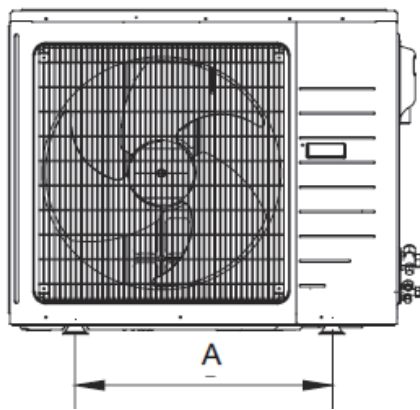


Dimensions	
A	33 3/8
B	11 3/8
C	8 1/4



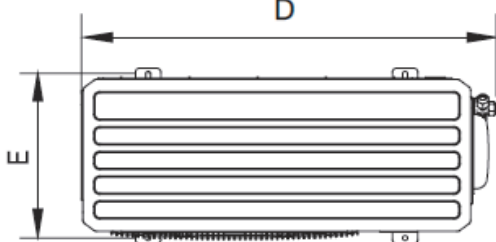
Liquid Line Valve	1/4-in OD Flared
Gas Line Valve	3/8-in OD Flared
Drain Connector	5/8-in OD

y



Dimensions	
A	21 1/4
B	12 5/8
C	21 1/4
D	33 3/8
E	11 1/4

y



Liquid Line Valve	1/4-in OD Flared
Gas Line Valve	1/2-in OD Flared

Net Weight IDU	23.2 lb
Gross Weight IDU	27.6 lb
Net Weight ODU	77.2 lb
Gross Weight ODU	83.8 lb



COOLING PERFORMANCE (BtuH)*

Outdoor Ambient DB	Indoor Ambient Temperature							
	68F DB (20C)		73F DB (23C)		80F DB (27C)		82F DB (28C)	
	57F WB (14C)		61F WB (16C)		67F WB (19C)		68F WB (20C)	
	TC	SHC	TC	SHC	TC	SHC	TC	SHC
5°F	5,748	4,508	6,073	4,761	6,854	5,375	6,914	5,423
14°F	5,896	4,624	6,226	4,883	7,115	5,579	7,178	5,629
23°F	6,298	4,940	6,736	5,284	7,719	6,054	7,787	6,108
32°F	7,637	5,990	8,169	6,407	8,947	7,015	9,026	7,077
41°F	8,650	6,784	9,190	7,207	9,821	7,703	9,908	7,771
50°F	8,547	6,705	9,091	7,131	9,731	7,633	9,817	7,700
59°F	8,337	6,538	8,878	6,963	9,641	7,563	9,726	7,630
68°F	8,127	6,373	8,668	6,799	9,461	7,420	9,545	7,486
77°F	7,920	6,212	8,457	6,632	9,280	7,280	9,363	7,344
86°F	7,692	6,033	8,229	6,452	9,010	7,067	9,090	7,130
95°F	7,505	5,887	8,040	6,306	8,893	6,976	8,972	7,038
104°F	7,319	5,740	7,854	6,160	8,776	6,884	8,854	6,945
113°F	6,944	5,445	7,478	5,865	8,403	6,589	8,478	6,648

HEATING PERFORMANCE (BtuH)*

Outdoor Ambient DB	Indoor Ambient Temperature							
	68F DB (20C)		73F DB (23C)		80F DB (27C)		86F DB (30C)	
	57F WB (14C)		61F WB (16C)		67F WB (19C)		72F WB (22C)	
	TC	SHC	TC	SHC	TC	SHC	TC	SHC
-4°F	5,772	5,772	5,717	5,717	5,620	5,620	5,393	5,393
0°F	6,253	6,253	6,194	6,194	6,091	6,091	5,840	5,840
6°F	6,597	6,597	6,535	6,535	6,425	6,425	6,160	6,160
10°F	6,872	6,872	6,806	6,806	6,693	6,693	6,418	6,418
16°F	7,078	7,078	7,013	7,013	6,896	6,896	6,610	6,610
19°F	7,219	7,219	7,147	7,147	7,030	7,030	6,738	6,738
24°F	8,020	8,020	7,951	7,951	7,831	7,831	7,542	7,542
32°F	8,955	8,955	8,886	8,886	8,766	8,766	8,477	8,477
41°F	10,024	10,024	9,955	9,955	9,838	9,838	9,546	9,546
43°F	10,292	10,292	10,223	10,223	10,103	10,103	9,814	9,814
47°F	11,223	11,223	11,110	11,110	10,918	10,918	10,443	10,443
53°F	11,337	11,337	11,220	11,220	11,024	11,024	10,546	10,546
59°F	11,595	11,595	11,478	11,478	11,275	11,275	10,787	10,787
64°F	11,842	11,842	11,722	11,722	11,516	11,516	11,017	11,017
70°F	12066	12066	11942	11942	11736	11736	11227	11227
75°F	12234	12234	12110	12110	11897	11897	11382	11382

* Maximum system capacity

TC- Total Capacity (BtuH)

SHC- Sensible Capacity (BtuH)



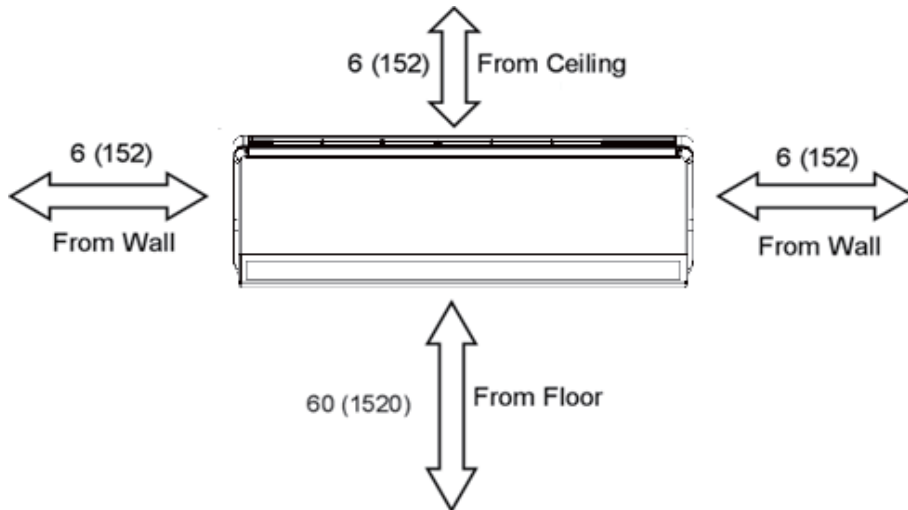
DIMENSIONAL SPECIFICATIONS

KW12HQ2B8A

MINIMUM SPACING REQUIREMENTS

Units: inch (mm)

INDOOR



Units: inch (mm)

OUTDOOR

