

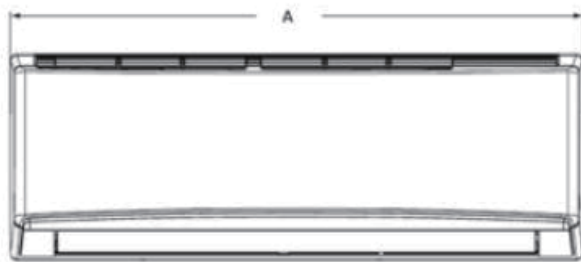
**SPLIT TYPE**
**''''J=€@H**
**Model:  
KW12HQ2B8D**


Item	Unit	Specification
ODU Model	—	KW12HQ2B8DO
IDU Model	—	KW12HQ2B8DI
<b>System Ratings</b>		
Cooling Capacity	Btu/h	12,000
Heating Capacity (47°F)	Btu/h	13,000
Heating Capacity (17°F)	Btu/h	7,100
Cooling Capacity Range	Btu/h	3,100-13,000
Heating Capacity Range	Btu/h	2,400-14,000
Cooling Power Input (Max)	W	1,350
Heating Power Input (Max)	W	1,400
SEER	—	22.0
HSPF	—	10.1
EER	W/W	12.5
COP	W/W	3.5
Cooling Operation Range	°F(°C)	0~115.0 (-18.0~46.0)
Heating Operation Range	°F(°C)	-4~75.0 (-20.0~24.0)
Gas Pipe Size (OD)	Inch	1/2
Liquid Pipe Size (OD)	Inch	1/4
Connection Method	—	Flared
Factory Charge	oz	47.6
Additional Charge	oz/ft	0.21
Pre-Charge Length	ft.	25
MAX Refrigerant Length	ft.	66
Min Refrigerant Pipe Length	ft.	10
MAX Refrigerant Pipe Elevation	ft.	33
<b>Indoor Unit Data</b>		
Fan Motor Power Output	W	20
Fan Motor FLA	A	0.1
Air Flow Volume	CFM	171/400
Sound Pressure Level	dB(A)	29/45
Dehumidication	pt/hr	2.96
Power Supply	—	208/230V / 1Ph / 60Hz
Min/Max Voltage	V	187 - 253
MCA	A	9.0
MOCP/Breaker Size	A	15.0
<b>Outdoor Unit Data</b>		
Compressor Type	—	DC Inverter Rotary
Compressor RLA	A	6.6
Refrigerant Type	—	R410A
Fan Motor Power Output	W	30
Fan Motor FLA	A	0.36
Sound Pressure Level	dB(A)	54
Power Supply	—	208/230V / 1Ph / 60Hz
Min/Max Voltage	V	187 - 253
Main Supply Wire Size	—	14-2 AWG
MCA	A	9.0
MOCP/Breaker Size	A	15.0

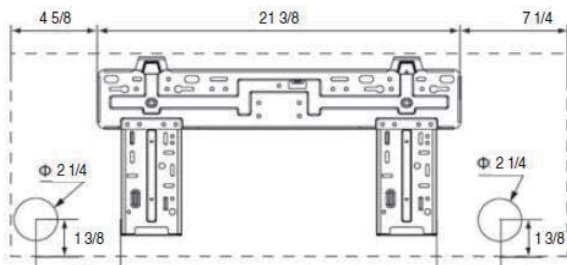
**Job Name:**
**Schedule Reference:**
**Date:**



Outline and Physical Dimension of KW12HQ2B8D.

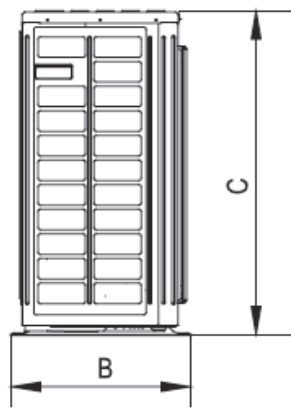
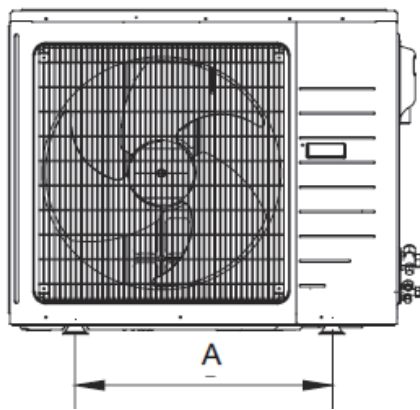


Dimensions	
A	33 3/8
B	11 3/8
C	8 1/4



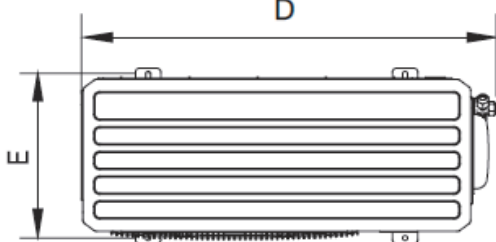
Liquid Line Valve	1/4-in OD Flared
Gas Line Valve	3/8-in OD Flared
Drain Connector	5/8-in OD

y



Dimensions	
A	21 1/4
B	12 5/8
C	21 1/4
D	33 3/8
E	11 1/4

y



Liquid Line Valve	1/4-in OD Flared
Gas Line Valve	1/2-in OD Flared

Net Weight IDU	22.1 lb
Gross Weight IDU	26.5 lb
Net Weight ODU	86.0 lb
Gross Weight ODU	92.7 lb



### COOLING PERFORMANCE (BtuH)\*

Outdoor Ambient DB	Indoor Ambient Temperature							
	68F DB (20C)		73F DB (23C)		80F DB (27C)		82F DB (28C)	
	57F WB (14C)		61F WB (16C)		67F WB (19C)		68F WB (20C)	
	TC	SHC	TC	SHC	TC	SHC	TC	SHC
5°F	7,656	6,005	8,088	6,341	9,128	7,159	9,508	7,458
14°F	7,852	6,159	8,292	6,503	9,476	7,431	9,871	7,740
23°F	8,388	6,580	8,972	7,038	10,280	8,063	10,708	8,399
32°F	10,172	7,978	10,880	8,533	11,916	9,343	12,413	9,732
41°F	11,520	9,035	12,240	9,598	13,080	10,259	13,625	10,686
50°F	11,384	8,930	12,108	9,497	12,960	10,166	13,500	10,589
59°F	11,104	8,707	11,824	9,274	12,840	10,072	13,375	10,492
68°F	10,824	8,488	11,544	9,055	12,600	9,882	13,125	10,294
77°F	10,548	8,273	11,264	8,833	12,360	9,696	12,875	10,100
86°F	10,244	8,034	10,960	8,594	12,000	9,412	12,500	9,804
95°F	9,996	7,840	10,708	8,399	11,844	9,290	12,338	9,678
104°F	9,748	7,645	10,460	8,205	11,688	9,169	12,175	9,551
113°F	9,248	7,252	9,960	7,812	11,192	8,776	11,658	9,142

### HEATING PERFORMANCE (BtuH)\*

Outdoor Ambient DB	Indoor Ambient Temperature							
	68F DB (20C)		73F DB (23C)		80F DB (27C)		86F DB (30C)	
	57F WB (14C)		61F WB (16C)		67F WB (19C)		72F WB (22C)	
	TC	SHC	TC	SHC	TC	SHC	TC	SHC
-4°F	6,821	6,821	6,756	6,756	6,642	6,642	6,374	6,374
0°F	7,390	7,390	7,321	7,321	7,199	7,199	6,902	6,902
6°F	7,796	7,796	7,723	7,723	7,593	7,593	7,280	7,280
10°F	8,121	8,121	8,044	8,044	7,910	7,910	7,585	7,585
16°F	8,365	8,365	8,288	8,288	8,149	8,149	7,812	7,812
19°F	8,531	8,531	8,446	8,446	8,308	8,308	7,963	7,963
24°F	9,478	9,478	9,397	9,397	9,254	9,254	8,913	8,913
32°F	10,583	10,583	10,502	10,502	10,359	10,359	10,018	10,018
41°F	11,846	11,846	11,765	11,765	11,627	11,627	11,282	11,282
43°F	12,163	12,163	12,082	12,082	11,940	11,940	11,598	11,598
47°F	13,264	13,264	13,130	13,130	12,903	12,903	12,342	12,342
53°F	13,398	13,398	13,260	13,260	13,028	13,028	12,464	12,464
59°F	13,703	13,703	13,565	13,565	13,325	13,325	12,748	12,748
64°F	13,995	13,995	13,853	13,853	13,609	13,609	13,020	13,020
70°F	14,259	14,259	14,113	14,113	13,869	13,869	13,268	13,268
75°F	14,458	14,458	14,312	14,312	14,060	14,060	13,451	13,451

\* Maximum system capacity

TC- Total Capacity ( BtuH)

SHC- Sensible Capacity (BtuH)



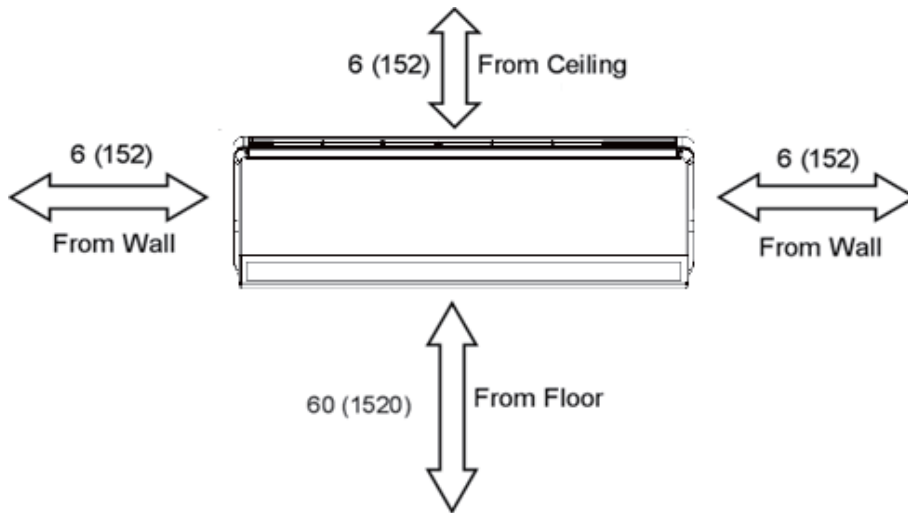
**DIMENSIONAL SPECIFICATIONS**

**KW12HQ2B8D**

**MINIMUM SPACING REQUIREMENTS**

Units: inch (mm)

**INDOOR**



Units: inch (mm)

**OUTDOOR**

